

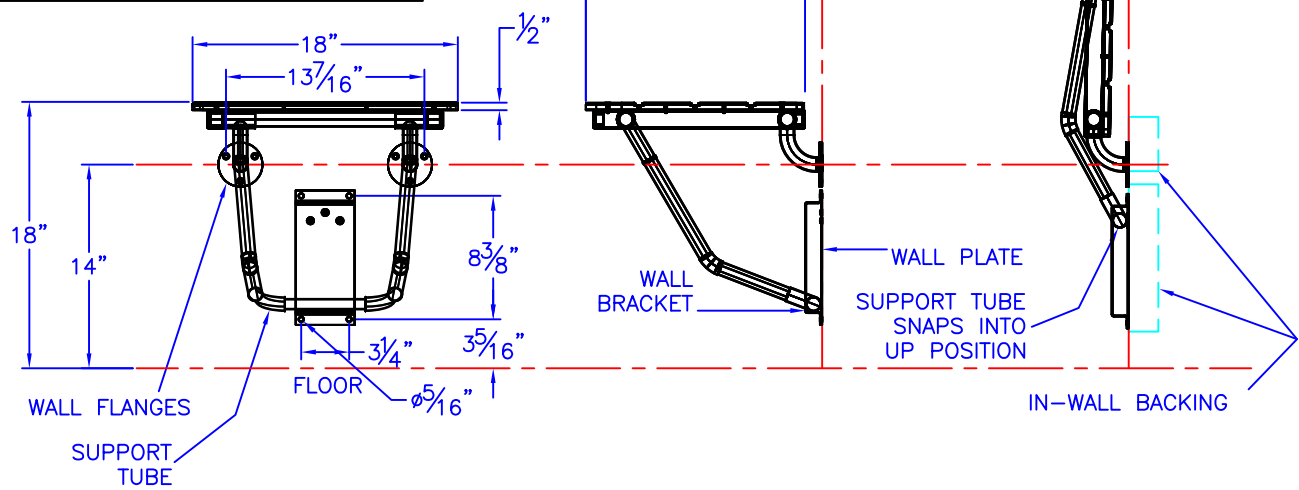
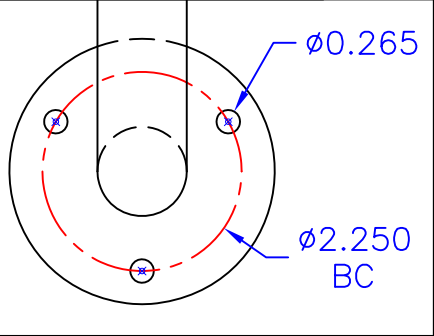


Technical Data S-6275-SS Shower Seat, 18" x 16", Folding Ivory Phenolic Top

Brey-Krause Manufacturing
1209 West Lehigh Street, Bethlehem, PA 18018
Phone: 610.867.1401 Fax: 610.866.1433
www.breykrause.com

The manufacturer reserves the right to make changes in design and material without formal notice and without incurring obligation.
© Copyright 2005 Brey-Krause Manufacturing

REVISIONS			
REV	DESCRIPTION	DATE	APPROVED
1	Initial Drawing	02-13-2009	KRR



Construction:

- 1 1/4" X 1 1/4" X .065W STAINLESS STEEL SQUARE TUBE
- 1" X .049W STAINLESS STEEL ROUND TUBE
- 7 GAUGE WALL FLANGE (2)
- 14 GAUGE WALL PLATE AND BRACKET
- SATIN #4 FINISH
- 1/2" THICK PHENOLIC LAMINATE TOP

Operation:

- TO STOW - FOLD SEAT INTO UP POSITION UNTIL SUPPORT TUBE SNAPS INTO WALL PLATE DIMPLES
- TO USE - FOLD SEAT DOWN UNTIL SUPPORT TUBE BOTTOMS OUT ON WALL BRACKET.

Installation:

- LOCATE AND LEVEL THE SEAT TOP LEFT TO RIGHT 18" ABOVE THE FLOOR, FASTEN MOUNTING FLANGES TO WALL.
- LEVEL THE SEAT FRONT TO BACK, MOUNT THE WALL PLATE AND BRACKET WITH THE SUPPORT TUBE BOTTOMED OUT ON THE WALL BRACKET.

Installation Cautionary Note:

THE SHOWER SEAT IS ONLY AS STRONG AS THE ANCHORING DEVICES AND THE WALL AREA TO WHICH IT IS MOUNTED. USE WALL BLOCKING IN MOUNTING AREA. CONSULT LOCAL BUILDING CODES FOR COMPLIANCE.

Guide Specification:

- BREY-KRAUSE SHOWER SEAT MEETS AND EXCEEDS ADA LOAD REQUIREMENTS OF 250 POUNDS WHEN PROPERLY INSTALLED.
- FABRICATED FROM 304 STAINLESS STEEL
- 1/2" PHENOLIC LAMINATE TOP FASTENED TO FRAME WITH 10-24 OVAL HEAD MACHINE SCREWS
- SHOWER SEAT FOLDS OUT OF THE WAY WHEN NOT REQUIRED AND IS SECURED BY A SELF LOCKING MECHANISM.

