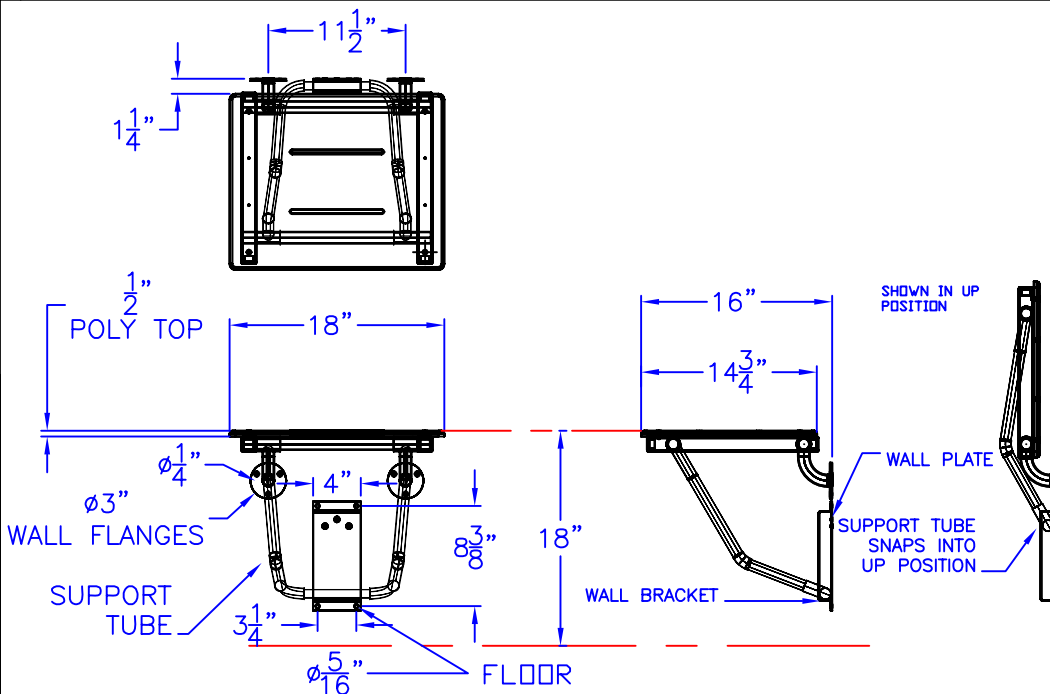




Technical Data

S-6215-SS



WALL PLATE



WALL BRACKET

Construction:

- 1 1/4" X 1 1/4" X .065W STAINLESS STEEL SQUARE TUBE
- 1" X .049W STAINLESS STEEL ROUND TUBE
- 7 GAUGE WALL FLANGE (2)
- 14 GAUGE WALL PLATE AND BRACKET
- SATIN #4 FINISH
- 1/2" THICK HIGH DENSITY WHITE PLASTIC TOP

Operation:

- FOLD SEAT INTO UP POSITION UNTIL SUPPORT TUBE SNAPS INTO WALL PLATE DIMPLES
- FOLD SEAT BACK DOWN UNTIL SUPPORT TUBE BOTTOMS OUT ON WALL BRACKET TO USE SEAT

Installation:

- WITH THE TOP OF THE SEAT 18" ABOVE THE FLOOR, MAKE SURE THAT THE TOP OF THE SEAT IS LEVEL AND MOUNT THE WALL FLANGES.
- KEEPING THE SEAT LEVEL, MOUNT THE WALL PLATE AND BRACKET WITH THE SUPPORT TUBE SUPPORTING THE SEAT IN THE HORIZONTAL POSITION. BOTTOM OUT ON THE WALL BRACKET.

CAUTION: SHOWER SEAT IS ONLY AS STRONG AS THE ANCHORING DEVICES AND THE WALL ON WHICH IT IS MOUNTED TO.

Guide Specification:

- BREY-KRAUSE SHOWER SEAT MEET AND EXCEED ADA LOAD REQUIREMENTS OF 250 POUNDS WHEN PROPERLY INSTALLED.
- FABRICATED FROM 304 STAINLESS STEEL
- 1/2" HIGH DENSITY WHITE PLASTIC FASTEN TO FRAME WITH 10-24 OVAL HEAD MACHINE SCREWS